

# XB5RFA02

Harmony XB5, Wireless push button and configurable receiver with 10 colored caps, plastic, Ø22, 24...240 V AC/DC



Product availability: Stock - Normally stocked in distribution facility

Price\*: 510.00 USD



## Main

Range of product	Harmony XB5R
Product or component type	Wireless and batteryless package
Device short name	XB5R
Head material	Plastic
Transmission frequency	2405 MHz transmitter 2405 MHz receiver
Level or class	5M00G7W
Antenna type	Omnidirectional

## Complementary

Control type	Wireless and batteryless push-button Ø 22 mm assembled on fixing collar
Type of receiver	Programmable receiver 2 relays)
[Us] rated supply voltage	24...240 V AC/DC 50/60 Hz
Kit composition	1 transmitter 1 set of caps 1 receiver 1 fixing collars 1 0.87 in (22 mm) 1 push-button head 0.87 in (22 mm)
Status LED	1 LED green for power ON 2 LEDs green for relay ON 2 LEDs green for function mode 1 LED green and yellow for reception signal
Communication port protocol	Zigbee conforming to IEEE 802.15.4
Max power consumption in W	1 MW
Number of channels	1
Modulation technique	O-QPSK
Bandwidth	5 MHz
Antenna gain	0 DBi

Customizable	No
Compatibility code	XB5R

## Environment

Product certifications	UL CCC GOST CSA C-tick
Marking	CE
Standards	CSA C22.2 No 14 EN/IEC 60947-5-1 UL 508 EN/IEC 60947-1
Radio agreement	SRRC RSS ARIB T66 FCC ICASA ANATEL

## Ordering and shipping details

Category	22470 - XB5R WIRELESS PUSH BUTTON
Discount Schedule	I
GTIN	03606480334450
Nbr. of units in pkg.	1
Package weight(Lbs)	8.08 Oz (229 g)
Returnability	Yes
Country of origin	FR

## Packing Units

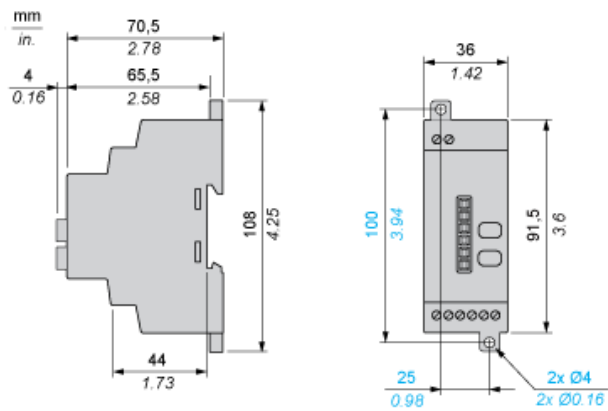
Unit Type of Package 1	PCE
Package 1 Height	3.66 In (9.3 cm)
Package 1 width	4.13 In (10.5 cm)
Package 1 Length	4.25 In (10.8 cm)
Unit Type of Package 2	S03
Number of Units in Package 2	16
Package 2 Weight	9.05 Lb(US) (4.103 kg)
Package 2 Height	11.81 In (30 cm)
Package 2 width	11.81 In (30 cm)
Package 2 Length	15.75 In (40 cm)

## Offer Sustainability

Sustainable offer status	Green Premium product
California proposition 65	WARNING: This product can expose you to chemicals including: Nickel compounds, which is known to the State of California to cause cancer, and Di-isodecyl phthalate (DIDP), which is known to the State of California to cause birth defects or other reproductive harm. For more information go to <a href="http://www.P65Warnings.ca.gov">www.P65Warnings.ca.gov</a>
REACH Regulation	<a href="#">REACH Declaration</a>
EU RoHS Directive	Pro-active compliance (Product out of EU RoHS legal scope) <a href="#">EU RoHS Declaration</a>
Mercury free	Yes
RoHS exemption information	<a href="#">Yes</a>
China RoHS Regulation	<a href="#">China RoHS Declaration</a>
Environmental Disclosure	<a href="#">Product Environmental Profile</a>

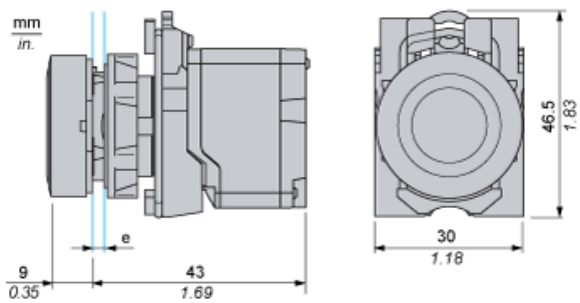
Circularity Profile	<a href="#">End Of Life Information</a>
WEEE	The product must be disposed on European Union markets following specific waste collection and never end up in rubbish bins.
<b>Contractual warranty</b>	
Warranty	18 months

Programmable Receiver



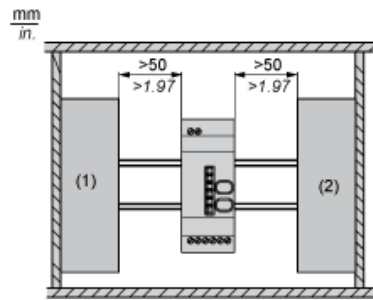
Wireless and Batteryless Pushbutton - Transmitter

With Plastic Pushbutton without Cap



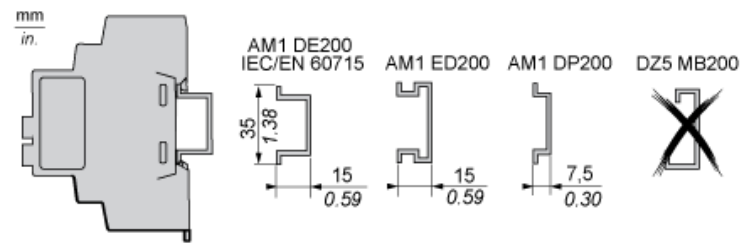
e: panel thickness 1 to 6 mm / 0.039 to 0.24 in.

Receiver Clearance

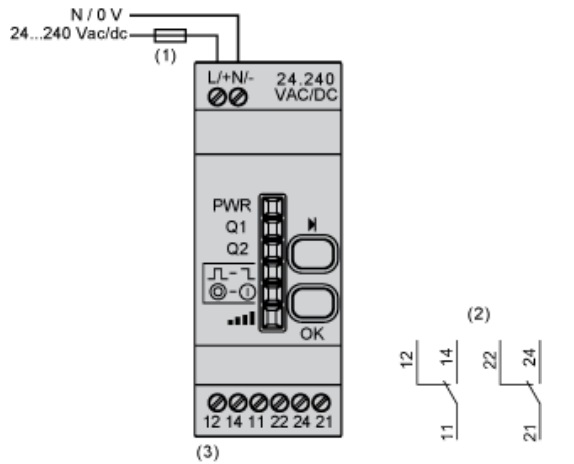


- (1) Drive
- (2) Power Supply or PLC

Receiver Mounting



Programmable Receiver



- (1) 500 mA
- (2) Output contacts
- (3)  $I_{max} = 3 \text{ A}$

Product Life Status : **Commercialised**